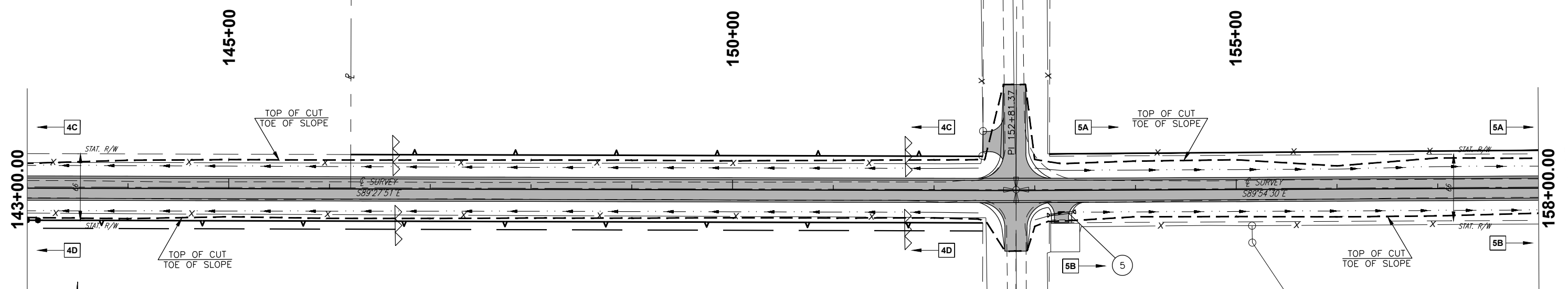


STR. NO. OR LOCATION	D.A.	DISTURBED AREA
4	4A	1.04 A.C.
4	4B	1.14 A.C.
4	4C	0.77 A.C.
4	4D	0.92 A.C.
TOTAL	4	3.87 A.C.



LEGEND

- TEMPORARY SILT DIKE
- TEMPORARY SILT FENCE
- RIP RAP
- SOLID SLAB SOD DITCH

EW-187 STEPHENS COUNTY

EROSION CONTROL SHEET 2 OF 9

JOB PIECE NO. 27847(04) SHEET NO. R003

8/8/2017 4:07:18 PM N:\DKC\TRANSPORTATION\COUNTY PRODUCTION\STEPHENS\12010.EW-187\STEPHENS\PROJECT DRAWINGS\EROSION CONTROL PLANS.DWG